

High-Performance Soot Blowers

Power Plant Boiler Cleaning Equipment



GAPS ENERGY PVT LTD.

www.gapsenergy.com





High-Performance Soot Blowers

We offer a complete line of power plant sootblowing equipment for optimized boiler operations:

Furnace Wall Blower [WB-1]	
Superheater Long Retractable Soot Blower [LR-4B, LR-3B, LR-2B]	
Economizer Short Retractable Soot Blower [SR-2B] Fixed Rotary Soot Blower [RB-1(M)]	 
SCR (Rake Type) Part Retractable Soot Blower [PLR-RAKE-SCR] Short Retractable Soot Blower [SR-2B-SCR]	 
GGH Part Retractable Soot Blower [PLRL-GGH-P, PLRP-GGH-P]	
GAH Part Retractable Soot Blower [PLR-AHS (TWIN)]	



High-Performance Soot Blowers Specifications

Applications		Boiler					SCR	GGH		GAH			
		Superheater			Economizer			Furnace wall	Rake-Type		AHS		
Soot Blower Types		Long Retractable Soot Blower			Short Retractable Soot Blower	Fixed Rotary Soot Blower	Wall Blower	Part Retractable Soot Blower	Short Retractable Soot Blower	Long Retractable Soot Blower	Part Retractable Soot Blower	Part Retractable Soot Blower	
Model		LR-4B	LR-3B	LR-2B	SR-2B	RB-1(M)	WB-1	PLR-RAKE-SCR	SR-2B-SCR	PLRL-GGH-P	PLRP-GGH-P	PLR-AHS (TWIN)	
Travel		12 m - 15 m	8 m - 12 m	3 m - 8 m	0.5 - 2 m	-	0.3 m	-	-	-	-	-	
S p e c i f i c a t i o n s	Blower Coverage	Venturi Nozzle Arrangement	End of tube			From the end of tube to interval of travel pitch	From the end of tube and arranged according to water pipe arrangement	End of nozzle head	Arranged at regular intervals of 125 mm to 140 mm		End of tube		From the end of tube to interval of travel pitch
		Number	2 or 4	2	2	Applied to water pipe coverage	Water pipe + 1	1 or 2	Depending on catalyst wide size		3 or 5		
		Size Angle	Customizable according to the specifications of the client by considering the effective pressure, temperature, flow rate, etc. of the medium supplied to cover each time of each project										
	Blowing Pressure		Built-in adjustable pressure control, which can be changed based on the supply pressure and flow rate										
	Blowing Medium		Superheated Steam (steam or air can be used depending on the site)										
	Cleaning Pattern		Feed & Rotation Type				Rotation Type	Feed & Rotation Type	Feed Type				
	Carriage Configurations	Speed	41.5 mm/sec	41.5 mm/sec	33.4 mm/sec	12 mm/sec	Rotation driving without forward and reverse	5.8 mm/sec	12 mm/sec	12 mm/sec	12 mm/sec	12 mm/sec	12 mm/sec
		Rotation	100 mm	100 mm	100 mm	30 mm	26.4 sec/cycle	100 mm	Driving forward and reverse without rotation				
	Motor Configuration	Horsepower	2 HP	2 HP	1 HP	1/2 HP	1/2 HP	1/4 HP	1 HP	1/2 HP	1 HP	1 HP	1 HP
		Insulation	F										
		Enclosure	TEFC										
		Voltage	380 V - 460 V										
	Frequency		50 Hz or 60 Hz										
	Temperature		Over 500°C			Below 500°C	Below 500°C	Over 1,000°C	Under 400°C		80°C - 120°C		125°C - 400°C
	Tube Material		A335P11 / A335P91 / SUS series			SUS304 / A335P11	SUS304 / A335P11	A297HH	SUS304 / SUS316L		UNS N 10276 or 08367		A335P11 or SUS316L
Power Supply		380 V - 480 V											
Limit Switches	Proximity	X											
	Mechanical	O											
Wall Box		Customizable according to the Furnace Pressure (wall box is required for positive conditions & excluded for negative conditions)											
Approximate Weight		1,610 kg - 2,410 kg (Tr: 12 m - 15 m)	1,210 kg - 1,610 kg (Tr: 8 m - 12 m)	910 kg - 1,210 kg (Tr: 5 m - 8 m)	600 kg - 850 kg (Tr: 2 m - 5 m)	130 kg (tube excluded)	150 kg - 250 kg (Tr: 0.3 m - 0.4 m)	560 kg (tube excluded)		850 kg - 1,600 kg (Tr: 3.5 m - 9 m)		520 kg - 700 kg (Tr: 1 m - 3 m)	
Dimensions (L= value depends on travel)		W640 X H1,020 X L	W600 X H700 X L			W420 X H800 X L720 (tube excluded)	W500 X H610 X L	W600 X H700 X L		W600 X H1,000 X L		W600 X H1,000 X L	



High-Performance Soot Blower LR Series

Long Retractable/Insertable Kinetic Soot Blower (LRSB/IK) for Boiler Superheater:



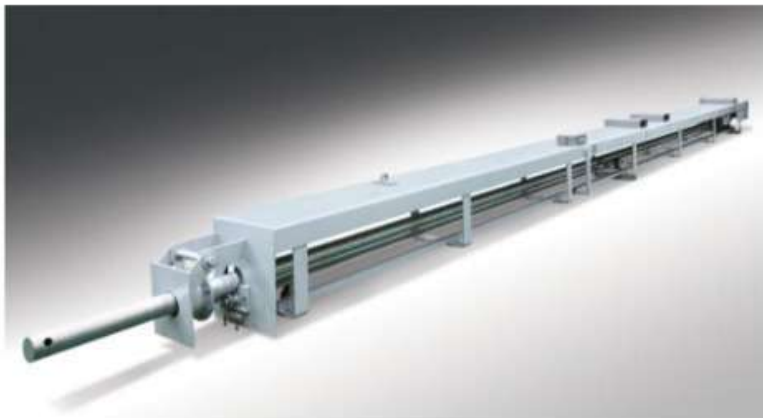
Model: LR-2B

Travel: 3 m - 8 m

Speed: 33.4 mm/sec

Rotation: 100 mm

Horsepower: 1 HP



Model: LR-3B

Travel: 8 m - 12 m

Speed: 41.5 mm/sec

Rotation: 100 mm

Horsepower: 2 HP



Model: LR-4B

Travel: 12 m - 15 m

Speed: 41.5 mm/sec

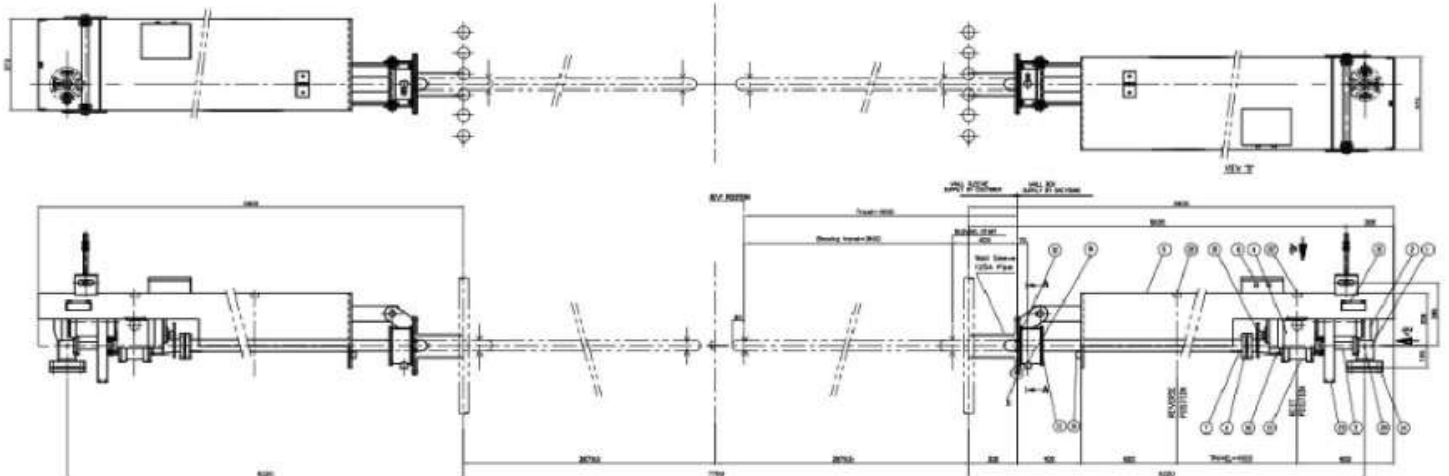
Rotation: 100 mm

Horsepower: 2 HP

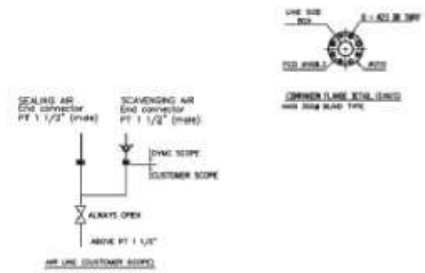
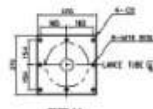
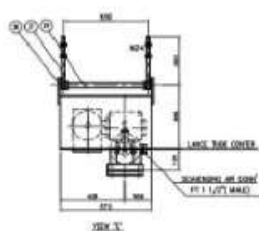


High-Performance Soot Blower LR Series

Long Retractable/Insertable Kinetic Soot Blower (LRSB/IK) Drawing



NO	DESCRIPTION	QTY	MAT'L	REMARKS
1	POPPET BODY	1	A67403	
2	V/V LEVER	1	SS400	
3	FEED TUBE	1	STS304	Ø 48.6
4	REDUCTION UNIT	1	FC250	1 HP
5	STANDARD COVER'G	1	SPHC	
6	LANCE FLANGE	1	S45C	
7	LANCE TUBE	1	A325P11	Ø 73.03
8	LOCAL TERMINAL BOX	1	SPHC	
9	SEALING AIR CONN'	1	S1.3	
10	GUIDE ROLLER	Ø	BRG	
11	WALL BOX	1	SS400	
12	NOZZLE	Ø	A479-3H	
13	CARRIAGE HOUSING	1	FC250	
14	COMPANION FLANGE	1	A305	
15	CHAIN SPROCKET	Ø	S45C	
16	LANCE HUB FLANGE	1	SS400	
17	SUPPORT BOLT	Ø	S45C	
18	SUPPORT PLATE	1	SS400	
19	BAR	1	S45C	
20	SCAVENGING AIR CONN'	1		
21	NAME PLATE	1	STS304	
22	LIMIT SWITCH	Ø	KUNHEUNG	
23	COVER SUPPORT	1	SS400	





High-Performance Soot Blower SR Type

Short Retractable Soot Blower for Boiler Economizer:



Model: SR-2B

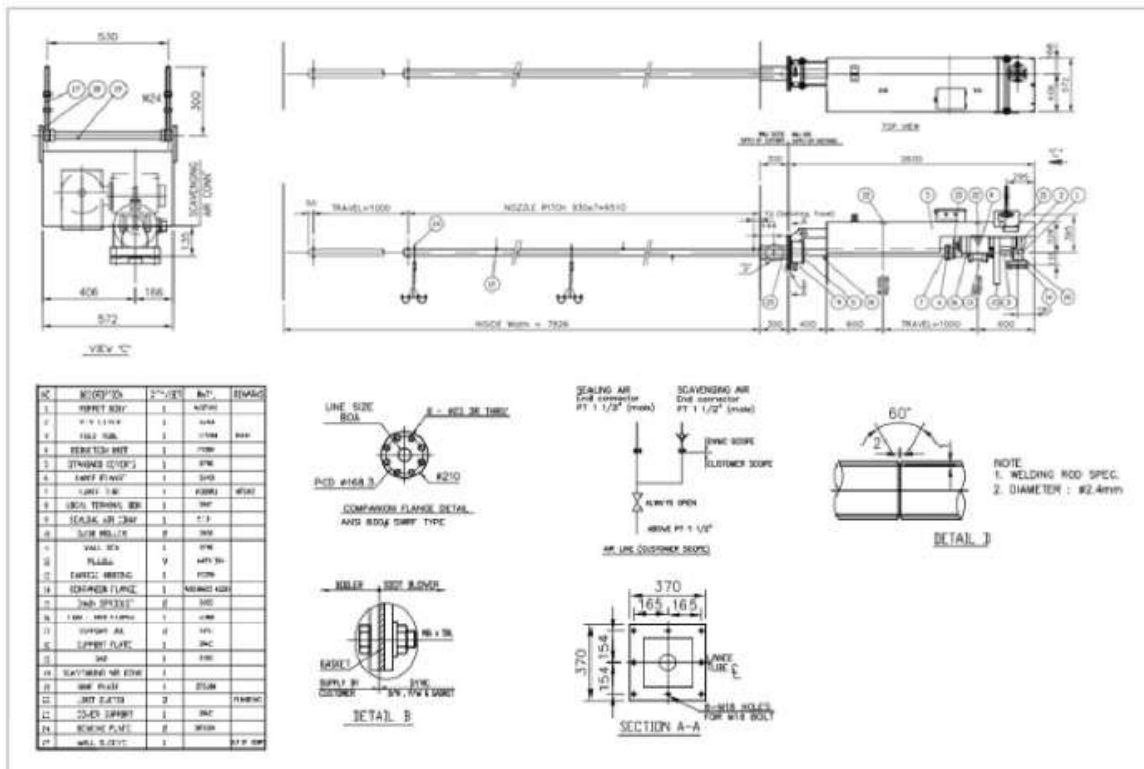
Travel: 0.5 - 2 m

Speed: 12 mm/sec

Rotation: 30 mm

Horsepower: 1/2 HP

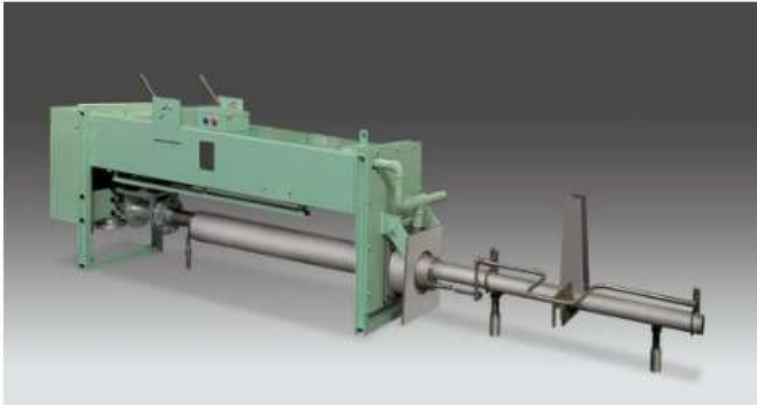
Short Retractable Soot Blower Drawing





High-Performance Soot Blower PLR Series

Part Retractable Gas to Gas Heater (GGH) Soot Blower:



Model: PLRP-GGH-P

Travel: 7 m - 9 m

Speed: 12 mm/sec

Horsepower: 1 HP

Long Retractable Gas to Gas (GGH) Soot Blower:



Model: PLRL-GGH-P

Travel: 7 m - 9 m

Speed: 12 mm/sec

Horsepower: 1 HP

Dual-Media Part Retractable Soot Blower for Gas Air Heater (GAH):



Model: PLR-AHS (TWIN)

Speed: 12 mm/sec

Horsepower: 1 HP



High-Performance Soot Blower WB Type

Wall Blower/Insertable Rotating (IR) for Boiler Furnace Wall:



Model: WB-1

Travel: 0.3 m

Speed: 5.8 mm/sec

Rotation: 100 mm

Horsepower: 1/4 HP

High-Performance Soot Blower RB Type

Fixed Rotary Soot Blower for Boiler Economizer & Flue Gas Paths:



Model: RB-1(M)

Rotation: 26.4 sec/cycle

Blowing Angle: 180°, 360°

Horsepower: 1/2 HP



High-Performance Soot Blower Rake Series

Rake Soot Blowers for SCR:

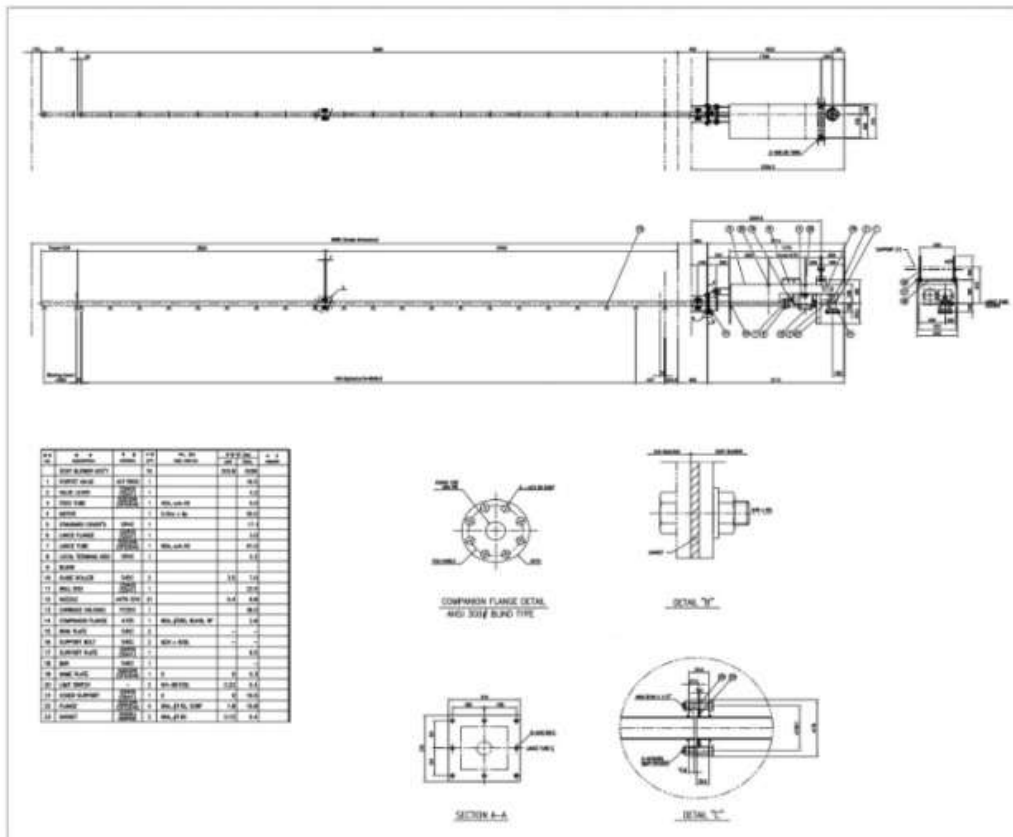


Model: SR-2B-SCR

Speed: 12 mm/sec

Horsepower: 1/2 HP

SR Rake-Type Soot Blower Drawing





High-Performance Soot Blower Rake Series

Rake Soot Blowers for SCR:

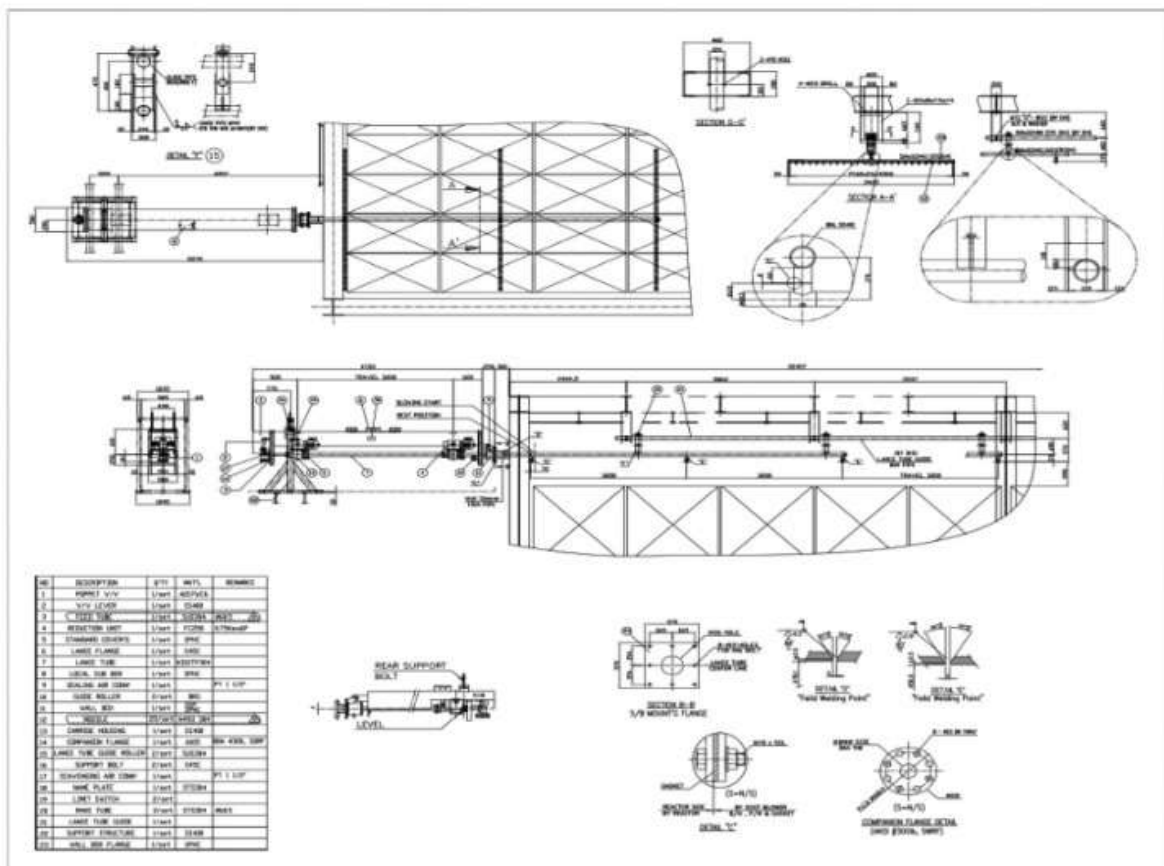


Model: PLR-RAKE-SCR

Speed: 12 mm/sec

Horsepower: 1 HP

PLR Rake-Type Soot Blower Drawing





Proven Soot Cleaning Performance



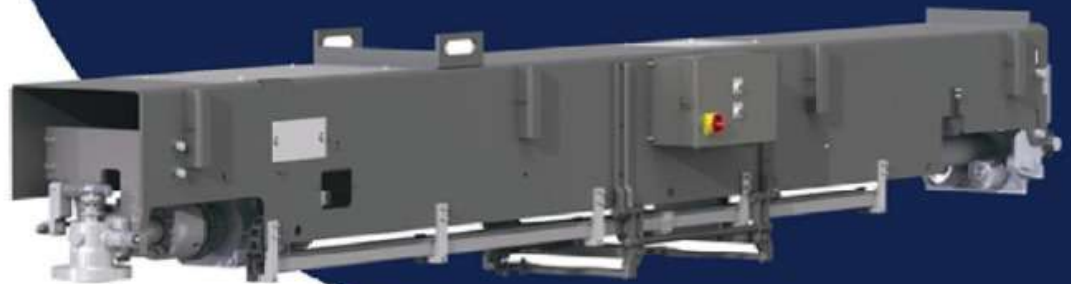
Poppet Valves:-

.Replaceable welded flexible valve seat and disc to prevent distortion from thermal stress

- Self-aligning disc for better sealing
- Long term reliability with freedom from leakage
- Pressure control disc made from materials proven to withstand steam service
- Varying models with adjustment flexibility
- Steam yoke ensures positive valve closure
- Feed tube and lance tube are removable without disturbing piping to the sootblower valve
- Fully serviceable
- Available in ANSI 600#, 900#, and 1800# pressure ratings.
- Companion flanges to suit are available.



SOOT BLOWER



GAPS ENERGY PVT LTD.

Office & Mfg Address.: Plot No-08, Gat No-396, Dehu-
Alandi Road, Talwade, Pune-411062.

Email:- sales@gapsenergy.com, marketing@gapsenergy.com,
info@gapsenergy.com, pradeep.deore@gapsenergy.com

Mob No.: +91 9527027539, 9922902675, 9822885585, 7774038613
web- www.gapsenergy.com